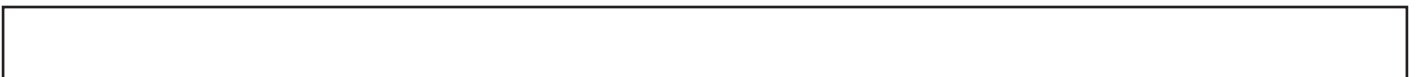
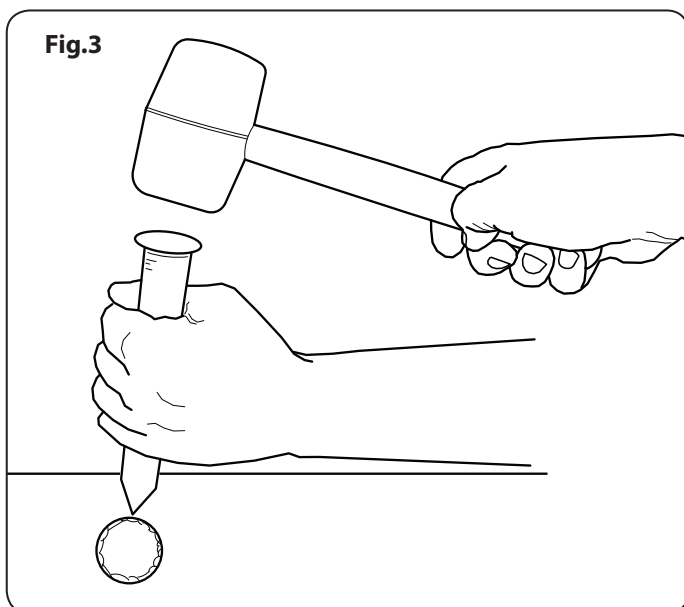
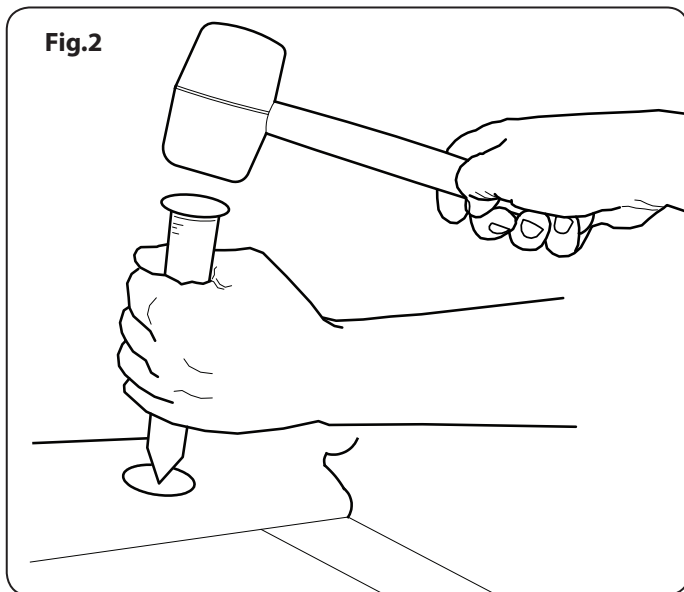
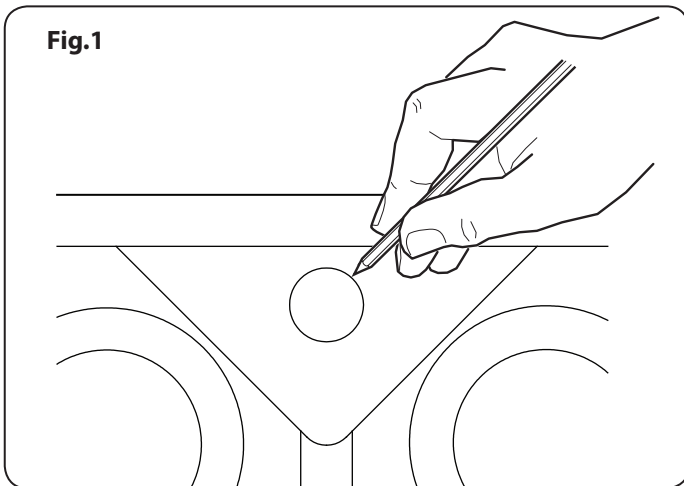


CERAMIC FIRECLAY SINKS

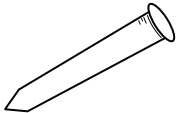
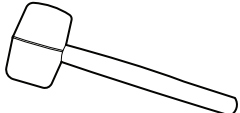
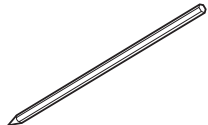
**Instructions for knocking out
a pre-punched tap hole**



INSTRUCTIONS



Tools required

Ref	Description	
1	Sharp ended nail punch	
2	Hammer	
3	Pencil or marker	

Notes

- ⚠** It is highly recommended that safety goggles and gloves are worn when knocking through the tap hole.

Procedure

1. Identify the centre of the pre-punched hole that you wish to use. Mark the centre on the enamelled side (glazed surface) of the sink.
DO NOT try to knock out the hole from underneath (Fig.1).
2. Place the sink in a well supported position.
3. Take a sharp ended nail punch, placing the point onto the mark made. Using a hammer, strike firmly the top of the punch until the point has been broken through to the underside of the pre-punched hole (**Fig.2**).
4. Carefully chip away the remaining material to gradually enlarge the tap hole until you have removed the entire pre-punched hole (**Fig.3**).
5. You should then find the tap mixer you intended to use, will fit the hole.

Due to our policy of continual improvement, we reserve the right to change specifications without prior notice.

RANGEmaster

Meadow Lane, Long Eaton,
Nottingham, NG10 2GD, England
Tel: +44 (0) 115 946 4000 Fax: +44 (0) 115 973 6602
E-mail: consumers@rangemaster.co.uk
www.rangemaster.co.uk